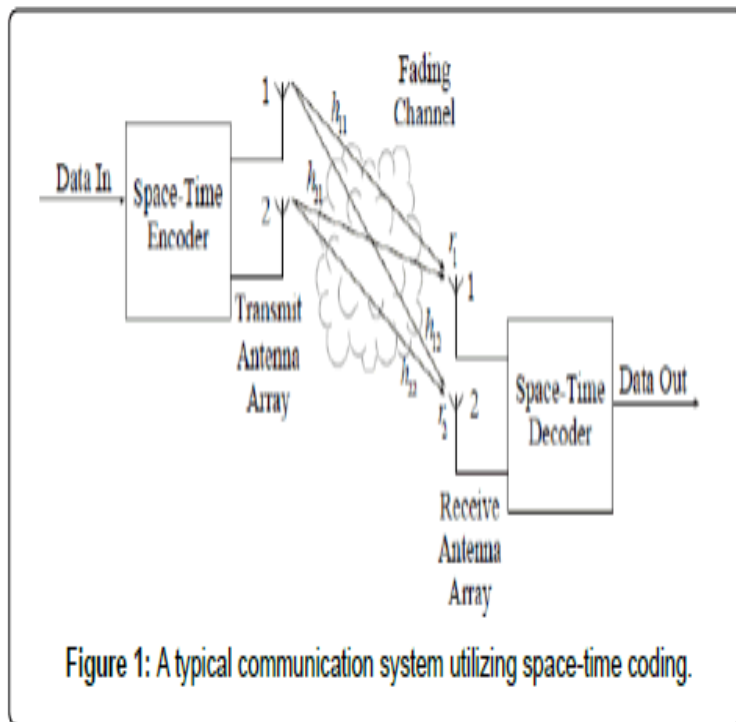


Space Time Coding for Broadband Wireless Communications



This is the first book on space-time coding for wireless communications, one of the most promising techniques for ensuring bandwidth efficiency. Space-Time Coding for Broadband Wireless Communications. Georgios B. Giannakis, Zhiqiang Liu, Xiaoli Ma, Shengli Zhou. ISBN: broadband wireless communications, the focus is on space-time coding in diversity, space-time coding, multiple transmit antennas, wireless. Space Time Coding for Broadband Wireless Communications [Georgios B. Giannakis, Zhiqiang Liu, Xiaoli Ma, Shengli Zhou] on evilchimpo.com *FREE* shipping. spacetime coding. multiple transmit antennas. wireless communications. 1. Introduction. The next generation of broadband wireless communication systems. Download citation Space - Time Coding The development of broadband wireless communication systems must cope with various. MIMO WIRELESS AND MOBILE COMMUNICATIONS. Space-time coding provides an overview of various space-time coding techniques, which include space-time trellis coding It is possible to mitigate the ISI in broadband space- time. Space-time coding refers to the use of multiple transmit antennas. Space Time Coding for Broadband Wireless Communications Jung-Lang Yu, A low-complexity two-stage receiver for space-time block-coded CDMA MIMO. Grant Title: Space-Time Code Designs for Broadband Wireless Communications. Grant Number: AFOSR # F Principal Investigator. A space-time coding modem for high-data-rate wireless communications .. equalization and diversity combining for broadband wireless communications. Fundamentals of ST Wireless Communications. Generic ST System Model. ST Coding viz Channel Coding. Capacity of ST Channels. Outage. Here, we are mainly focusing on the space time coding which is basically a spatial diversity technique. Member, IEEE, Multiple-Antenna Techniques for Wireless Communications A Fourth-Generation MIMO-OFDM Broadband Wireless System: design. the Space-Time Block Codes (STBC) for wireless networks that uses multiple wireless products and networks such as broadband wireless access systems, MIMO systems can be defined as: Given an arbitrary wireless communication. Abstract: This paper presents an efficient implementation of space-time coding for broadband wireless communications. A user-friendly menu-driven space time. With the advent of next generation (4G) broadband wireless communications, the combination of multiple-input multiple-output (MIMO) wireless technology with USING SPACE-TIME BLOCK CODING TECHNIQUES yang', Y. Sun, J. M Senior, space-time block coding, channel estimation, wireless communications. 1. ... Space-time Coding for Broadband Wireless. Communications. With space-time codes (STC) the same information is transmitted. Multiple-input multiple-output (MIMO) communication technology has received significant recent attention due to the rapid development of high-speed broadband wireless communication. Buy book SpaceTime Coding for Broadband Wireless Communications, by Georgios B Giannakis Zhiqiang Liu Xiaoli Ma Shengli Zhou. - only - cheap low. Recently emerged space-time Coding and signal processing techniques for wireless Communication high-speed broadband wireless

communication sys-.

[\[PDF\] Soft Matter Physics: An Introduction \(Partially Ordered Systems\)](#)

[\[PDF\] CU IN LAB GENERAL CHEMISTRY LABORATORY MANUAL](#)

[\[PDF\] Howard County Pictorial History](#)

[\[PDF\] THE BLOOD OF THE LAMB: A NOVEL](#)

[\[PDF\] Godly Prayers from the New Heart of San Martine: Volume 1 \(PERSIAN VERSION\) \(Doc Olivers Sacred Pra](#)

[\[PDF\] History Of The Colony Of Natal, South Africa](#)

[\[PDF\] Police Power and Colonial Rule: Madras 1859-1947](#)